



DAB PUMPS S. p. A.  
Via Marco Polo, 14 - 35035 Mestrino (PD) - ITALY  
Tel. +39 049 5125000 - Fax +39 049 5125950  
[Http://www.dabpumps.com](http://www.dabpumps.com)

-  
Phone

-  
To the attention of

Sent:

Subject:

Sincerely,

Phone  
Cell.



# QUOTATION

DAB PUMPS S.p.A.  
Via Marco Polo, 14 - 35035 Mestrino (PD), Italy  
Tel. +39 049 5125000 - Fax +39 049 5125950  
www.dabpumps.com

2021-05-1€

Page 2 / 7

Society Reference Address Phone Fax E-mail	<b>Receiver</b>	<b>From</b>
---	-----------------	-------------

Pos.no	Item no.	Description	Quant.	UP / AUD	TP / AUD
<b>1</b>		<b>ESYBOX MAX my20 (Q= H=)</b>			
1.1		Centrifugal pump: 2 ESYBOX MAX 60/120 T 2 ESYBOX MAX 60/120 T  <b>TECHNICAL DATA</b> Flow rate: Up to 17,4 m3/h (For single unit) Head: 113 m Type of pumped liquid: Clean, free from solid or abrasive substances, non-viscous, non-aggressive, non-crystallized and chemically neutral Liquid temperature: +50°C Maximum ambient temperature: +55°C Maximum inlet pressure: 5 bar Operation pressure: 12 bar / 1200 kPa Constant pressure range: 1-12 bar (3 bar by default) Motor protection class: IP X5 Motor insulation class: F Impeller material: Technopolymer Single phase power input: 208-240V 50/60Hz Three phase power input: 380-480V 50/60Hz Type of installation: Fixed in vertical position Certification: NSF61. WRAS and ACS are pending approval.  Integrated pumping system for pressurization in commercial building service. Available in two power sizes, it consists of modular elements that allow different configurations to cover the needs of medium/large condominiums and high buildings (even over 14 floors). Each unit consists of the single, double or triple connection base and the pumping units; a four-pumps system is available with the additional kit to connect two double bases. The modular construction allows to assemble the pumping groups directly at the installation site (O.S.A. concept). The silence and compactness of dimensions allow installation in all rooms, even inhabited.  <b>CONSTRUCTION FEATURES OF THE PUMP</b> Electronic vertical multi-impeller pump, with display, pressure sensors on intake and delivery, non-return valve on delivery and an integrated expansion tank. Pump body and impellers in technopolymer with steel jacket.  <b>CONSTRUCTION FEATURES OF THE MOTOR</b> Water-cooled permanent magnet motor, stainless steel motor jacket. Motor shaft in AISI 303 stainless steel.  <b>CONSTRUCTION FEATURES OF THE ELECTRONIC</b> The variable frequency drive keeps the pressure constant by varying the number of motor revolutions according to the request. There is a large display for the configuration and control. The expansion module (esy I/O, available as an accessory) makes it possible to interface Esybox Max with the other elements of the system (BMS). Integrated protections: protection from dry running, amperometric and abnormal voltages, overheating, freezing, anti-blocking and anti-cycling.  <b>DCONNECT</b> It is possible to configure and view the operating parameters on the large Esybox Max display or thanks to the DConnect app and the integrated Wi-Fi module, it is possible to do it remotely with an active DConnect service (an Internet connection is required). From a smartphone or a tablet it is possible to control and manage system pressure, alarms and check the instantaneous and historical consumption. With DSync technology, the user experience of Esybox Max is simplified. Using their smartphone or tablet, the installer interfaces with the pump that automatically detects the language, the time and the unit of measurement used in the Country of installation. In the case of a booster set, once the installation of the first pump is completed, the Esybox Max automatically synchronize the other pumps. The DSync also allows you to connect the pump to the outside world, through the Modbus protocol.	1	0,00	0,00

MAIN_PROJECT_TITLE	BUSINESS_PROCESS_IT	OWNER_	ISSUE_DATE 2021-05-18	LAST_MODI_DATE 2021-05-18
--------------------	---------------------	--------	--------------------------	------------------------------



WATER • TECHNOLOGY

# QUOTATION

2021-05-18

Page 3 / 7

DAB PUMPS S.p.A.  
Via Marco Polo, 14 - 35035 Mestrino (PD), Italy  
Tel. +39 049 5125000 - Fax +39 049 5125950  
www.dabpumps.com

Receiver

From

Society  
Reference  
Address  
Phone  
Fax  
E-mail

Pos.no	Item no.	Description	Quant.	UP / AUD	TP / AUD
1.2		2 Esybox Max 60/120 T			
1.2.1	60199035	ESYBOX MAX 60/120 T 380-480 PUMP	2	Price on req.	Price on req.
1.2.2	60198332	2 ESYDOCK MAX GAS	1	Price on req.	Price on req.

**Total Price on req.**

MAIN\_PROJECT\_TITLE

BUSINESS\_PROCESS\_IT

OWNER\_

ISSUE\_DATE

LAST\_MODI\_DATE

2021-05-18

2021-05-18

### Receiver

### From

Society  
Reference  
Address  
Phone  
Fax  
E-mail

Item n° :

Model :

2 ESYBOX MAX 60/120 T

### Pump data

Pressure rating : 12 bar (1200 KPa)  
Constant pressure range: 1-12 bar (3 bar by default)  
Min. fluid temperature : 0 °C  
Max. fluid temperature : 50 °C  
Max. Ambient temperature : 55 °C

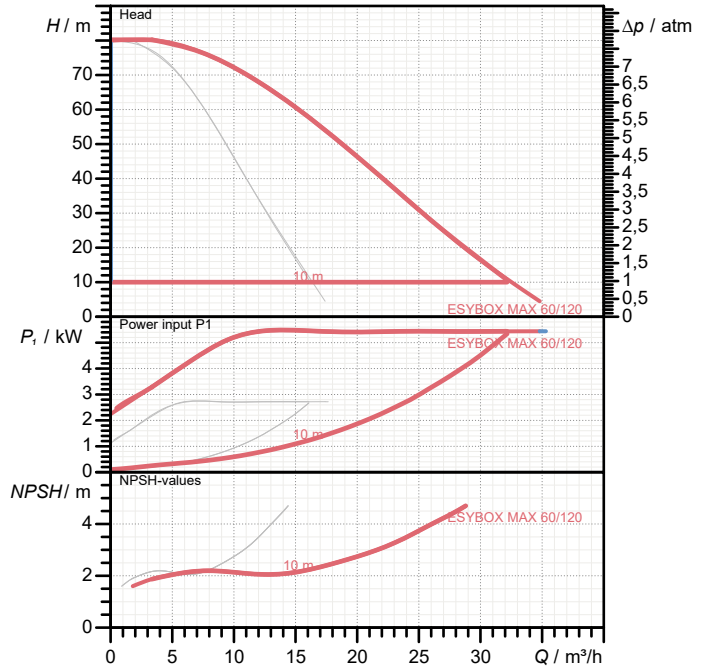
### Requested data

Flow :  
Head :  
Fluid : Water  
Fluid Temperature : 20 °C  
Density : 998,3 kg/m<sup>3</sup>  
Kinematic viscosity : 1,005 mm<sup>2</sup>/s  
Vapor pressure : 2,34 kPa

### Materials

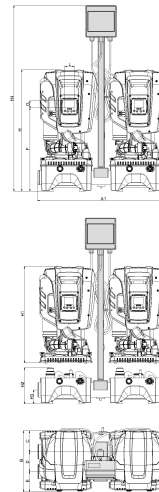
Fitting	Technopolymer PA66 30%GF
Manifold	Stainless Steel AISI 304
Flange	Technopolymer PA66 30%GF
Pump body	Technopolymer PA66 30%GF
Pump body ring	Technopolymer PP 30%GF
Impeller	Technopolymer PP 30%GF/AISI 304
Diffuser	Technopolymer PP 30%GF/AISI 304
Motor axis	Stainless Steel AISI 303
OR ring	EPDM
Motor flange	Technopolymer PA66 30%GF
Mechanical seal	Graphite/Stainless Steel/EPDM
Motor liner	Stainless Steel AISI 304
Motor body	Technopolymer PA66 30%GF
Conveyor tube	Technopolymer PP 30%GF
Pressure sensor	Nylon/EPDM
Non-return valve	POM/EPDM/AISI 302
Non-return valve body	Technopolymer PA66 30%GF
Tank	Noryl/Rubber
Delivery body	Technopolymer PA66 30%GF
Outer liner	Stainless Steel AISI 304

### Curve tolerance according to ISO 9906



### Hydraulic data (duty point)

Flow :  
Head :



\*Without the pillar kit and panel, do not consider the H4

### Dimensions in mm

A1	811	E	127,7	H3	87		
B	384	F	526	H4	1.172		
C	131,8	G	45	L	59,5		
D	124,5	H	766				
DNA	2"	H1	613				
DNM	2"	H2	228				

Weight : 76 kg

### Pump connection

Suction side : 2" G / 12 bar (1200 KPa)  
Discharge side : 2" G / 12 bar (1200 KPa)

### Motor data

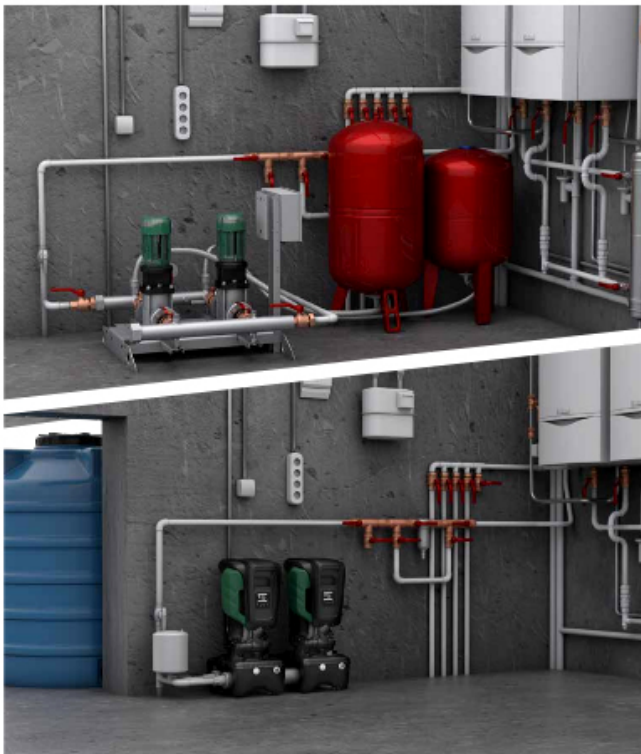
Power input P1 : 2 x 2,6 kW  
Rated speed : 5.240 1/min  
Rated voltage : 3~ 380-460 V 50 Hz  
Nominal current : 2 x 4,2 A  
Degree of protection : IP X5

# ENERGY SAVING

BEFORE

AFTER

- **20%**  
Compared with  
traditional inverter pump



**D+CONNECT**  
BUILT-IN



As quick as a "click"





# PERFORMANCE CURVES

2021-05-1€

Page 6 / 7

DAB PUMPS S.p.A.  
Via Marco Polo, 14 - 35035 Mestrino (PD), Italy  
Tel. +39 049 5125000 - Fax +39 049 5125950  
www.dabpumps.com

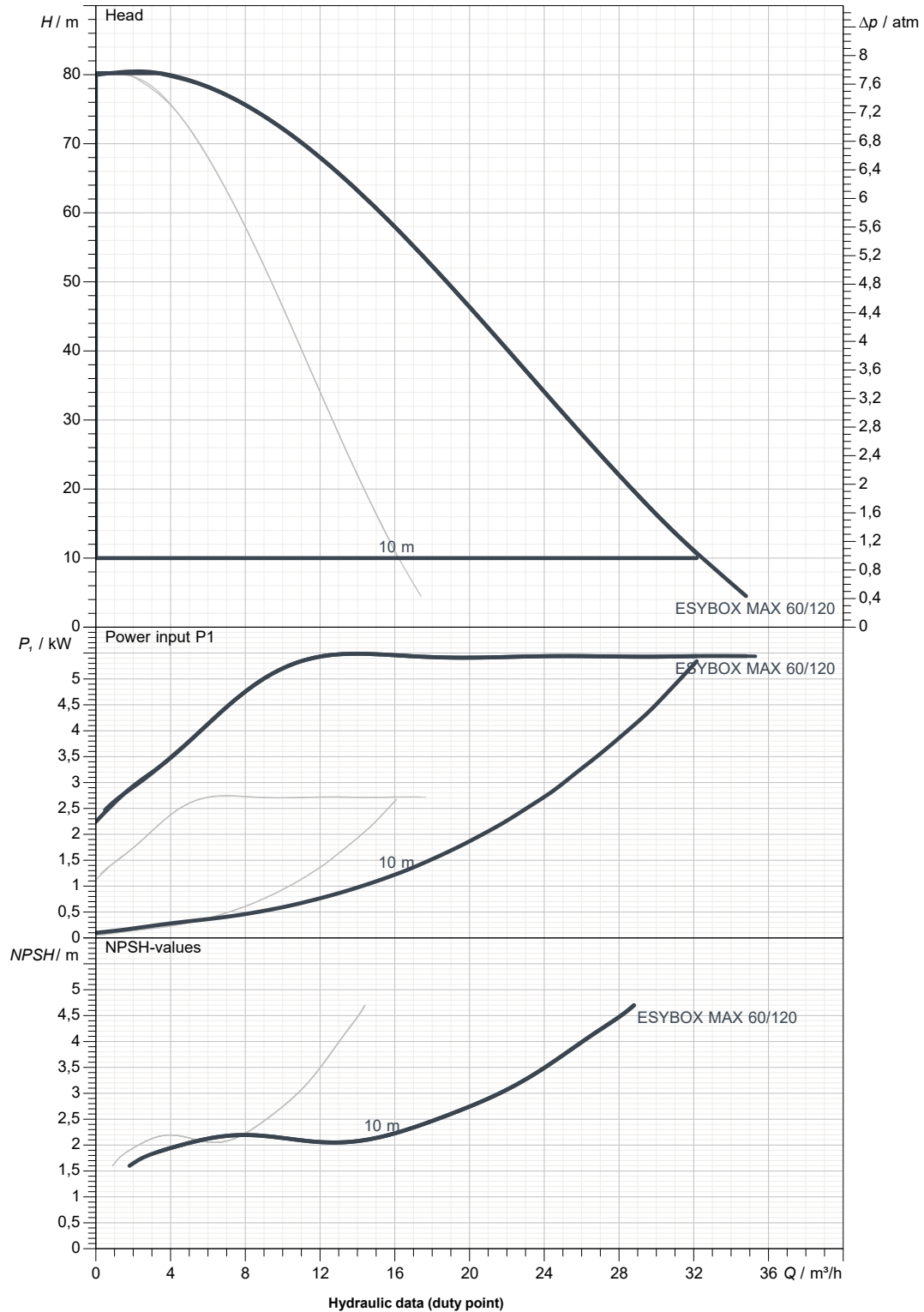
Receiver

From

Society  
Reference  
Address  
Phone  
Fax  
E-mail

## 2 ESYBOX MAX 60/120 T

Curve tolerance according to ISO 9906



Suction side :  
2" G  
12 bar (1200 KPa)

Discharge side :  
2" G  
12 bar (1200 KPa)

Flow :

Head :

Rated speed :  
5.240 1/min

MAIN\_PROJECT\_TITLE

BUSINESS\_PROCESS\_ID

OWNER\_

ISSUE\_DATE

2021-05-18



# DIMENSIONAL DRAWING

2021-05-18

Page 7 / 7

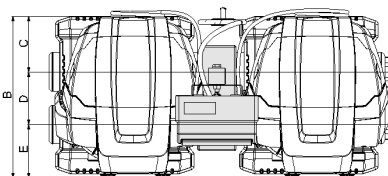
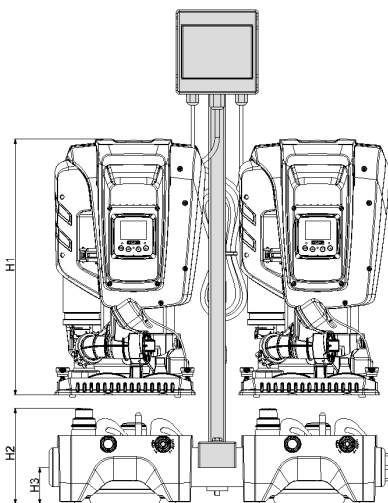
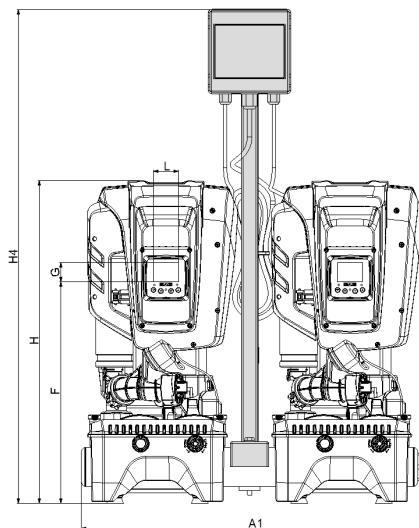
DAB PUMPS S.p.A.  
Via Marco Polo, 14 - 35035 Mestrino (PD), Italy  
Tel. +39 049 5125000 - Fax +39 049 5125950  
www.dabpumps.com

Receiver

From

Society  
Reference  
Address  
Phone  
Fax  
E-mail

## 2 ESYBOX MAX 60/120 T



\*Without the pillar kit and panel, do not consider the H4

Dimensions in mm					Pump connection
1	A1	811	H3	87	Suction 2" G 12 bar (1200 KPa)
2	B	384	H4	1.172	
3	C	131,8	L	59,5	
4	D	124,5			
5	DNA	2"			Discharge 2" G 12 bar (1200 KPa)
6	DNM	2"			
7	E	127,7			
8	F	526			
9	G	45			
10	H	766			
11	H1	613			
12	H2	228			

MAIN_PROJECT_TITLE	BUSINESS_PROCESS_ID	OWNER	ISSUE_DATE 2021-05-18
--------------------	---------------------	-------	--------------------------